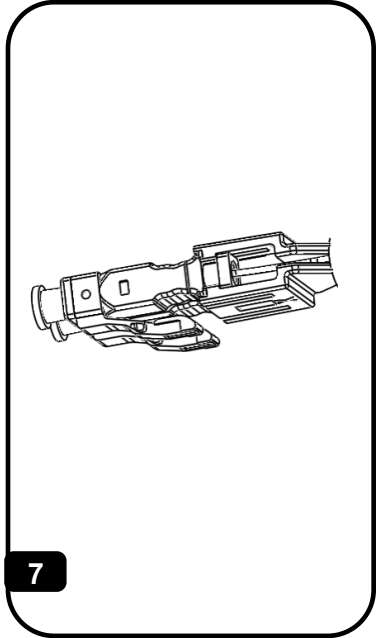
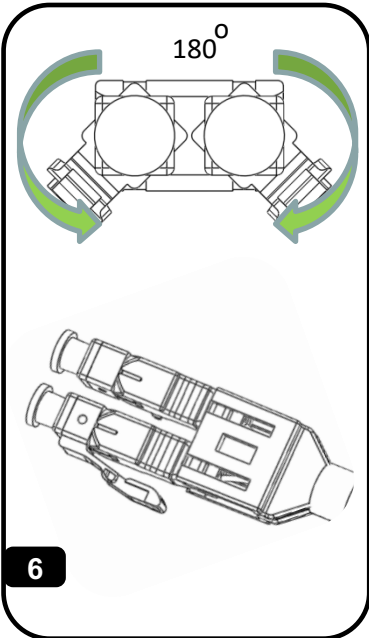
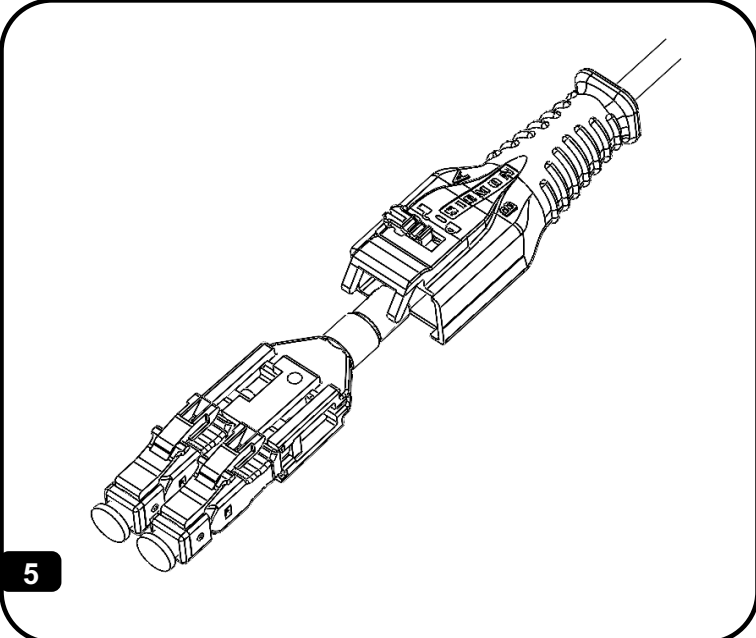
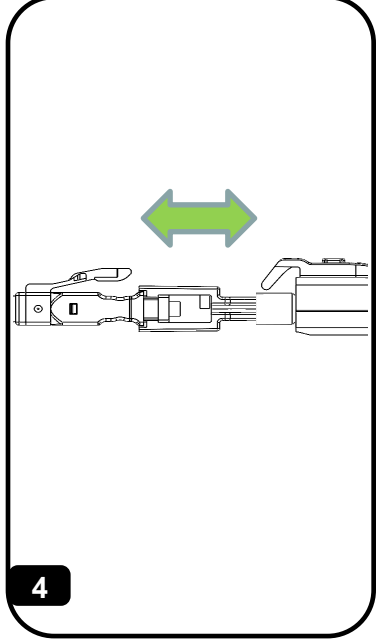
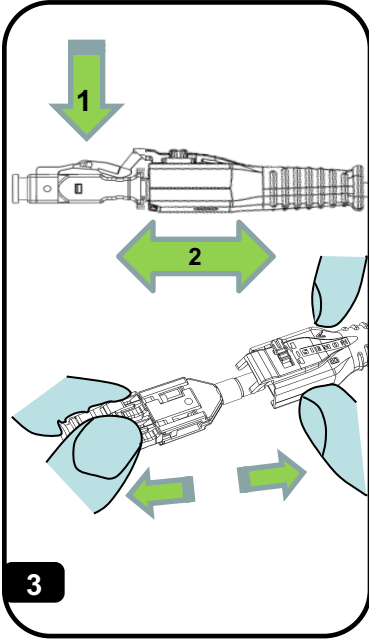
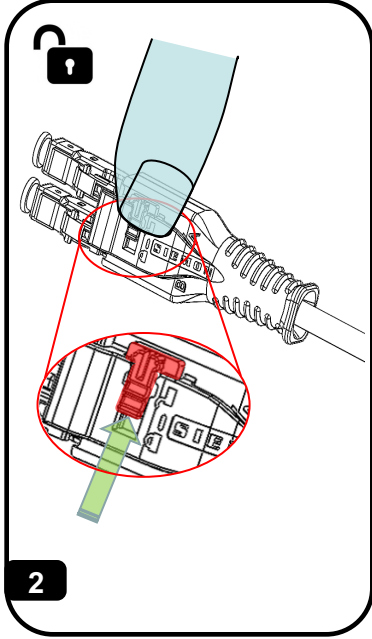
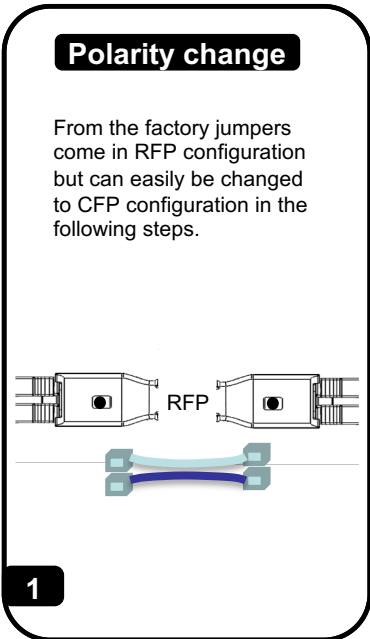
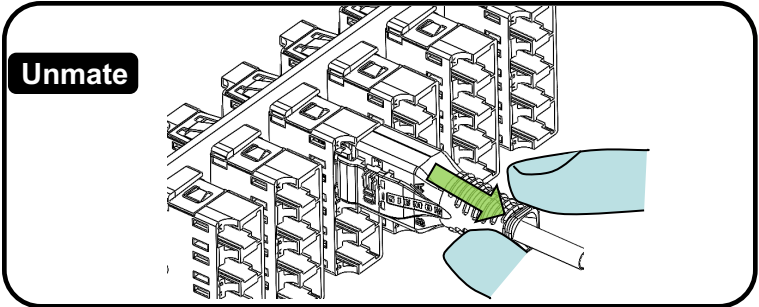
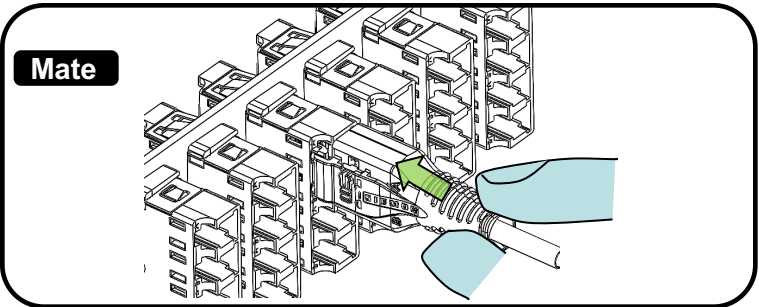
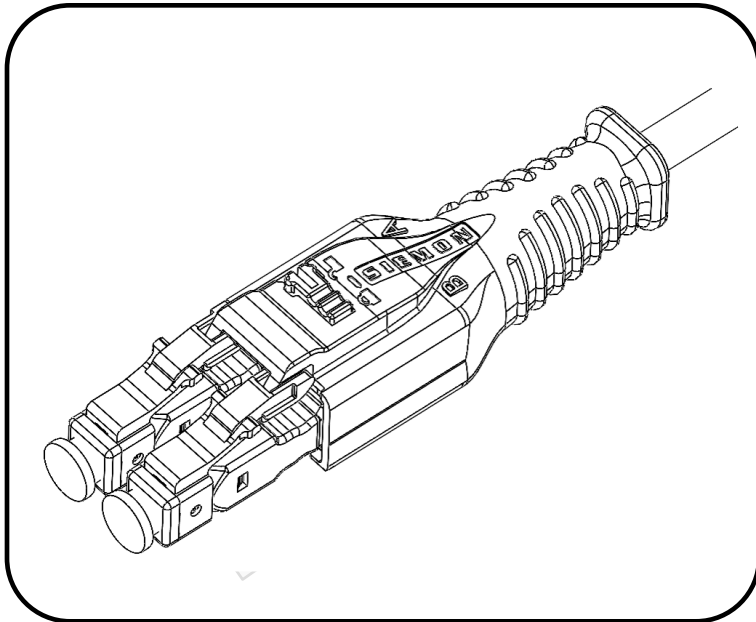
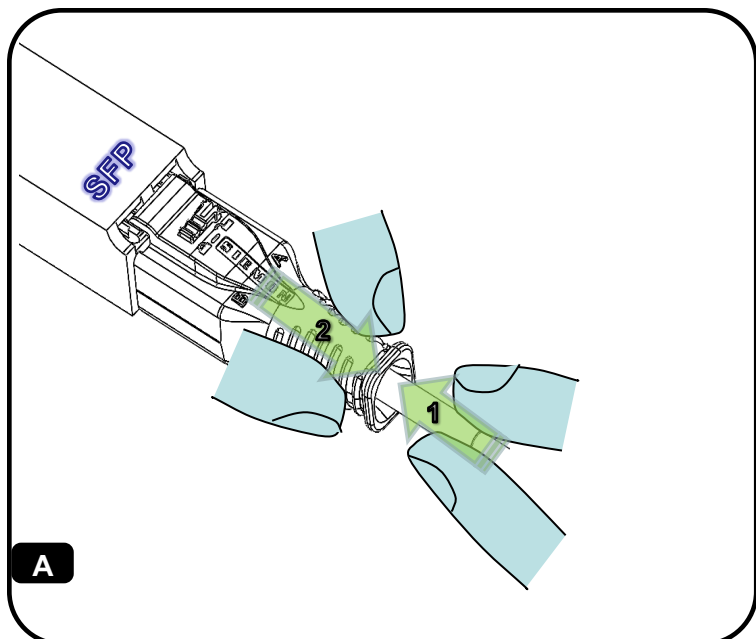
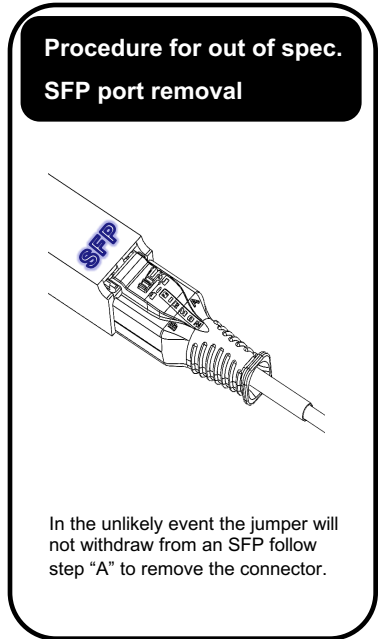
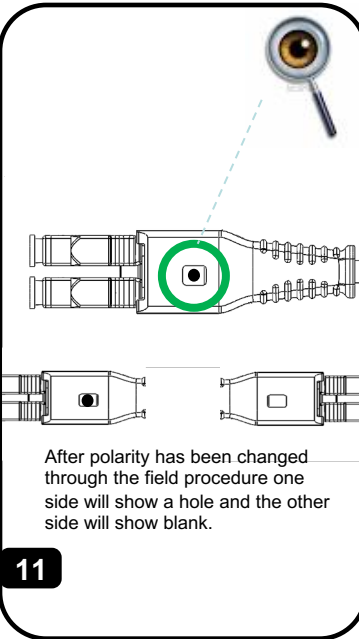
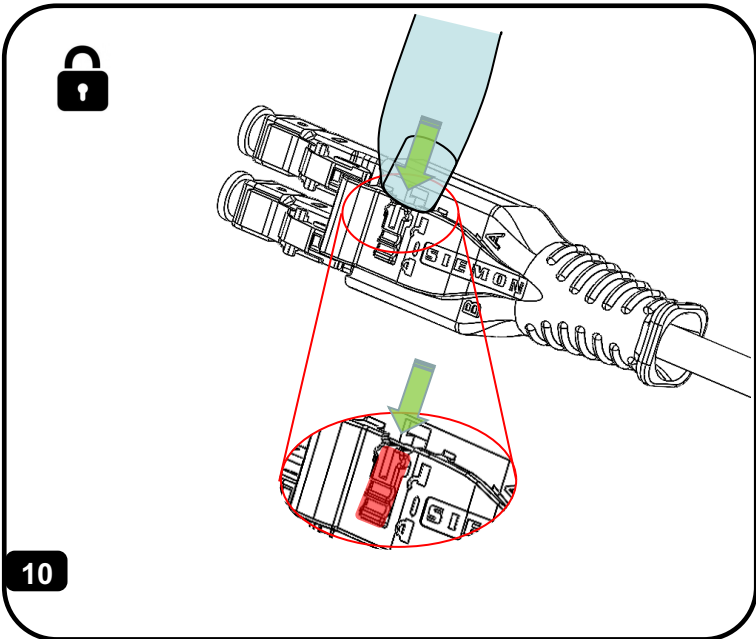
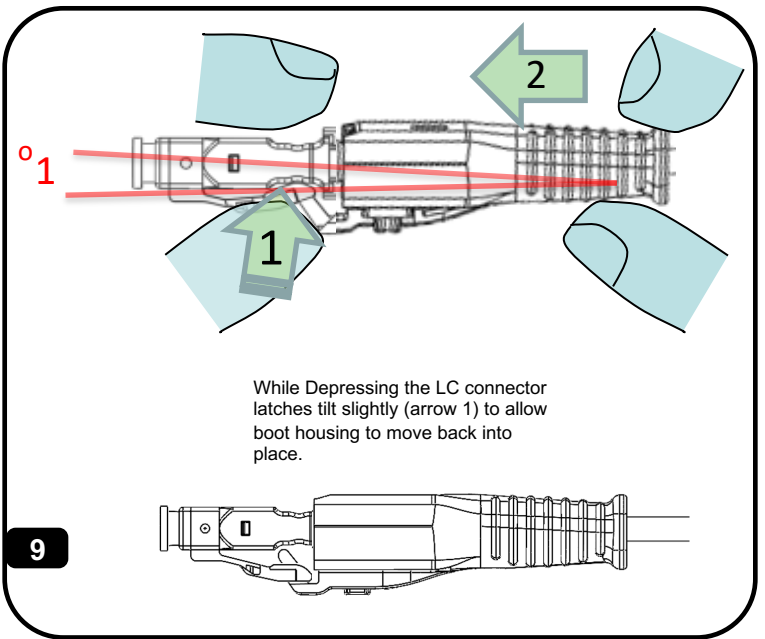
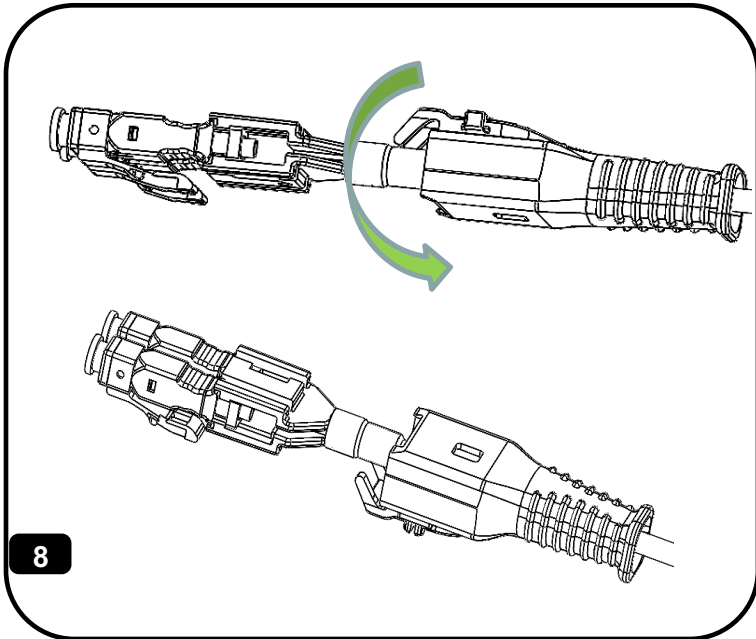


# LC Bladepatch Instructions



# LC Bladepatch instructions



- Comply with the following for safe installations:**
- A. Use caution when installing or modifying telecommunications circuits.
  - B. Never touch uninsulated wire terminals unless the circuit has been disconnected.
  - C. Never install this device in a wet location.
  - D. Never install wiring during a lightning storm.



Global Headquarters  
Watertown, Connecticut L  
Tel: (1) 866-548-5814



For a complete listing of our global offices visit our web site